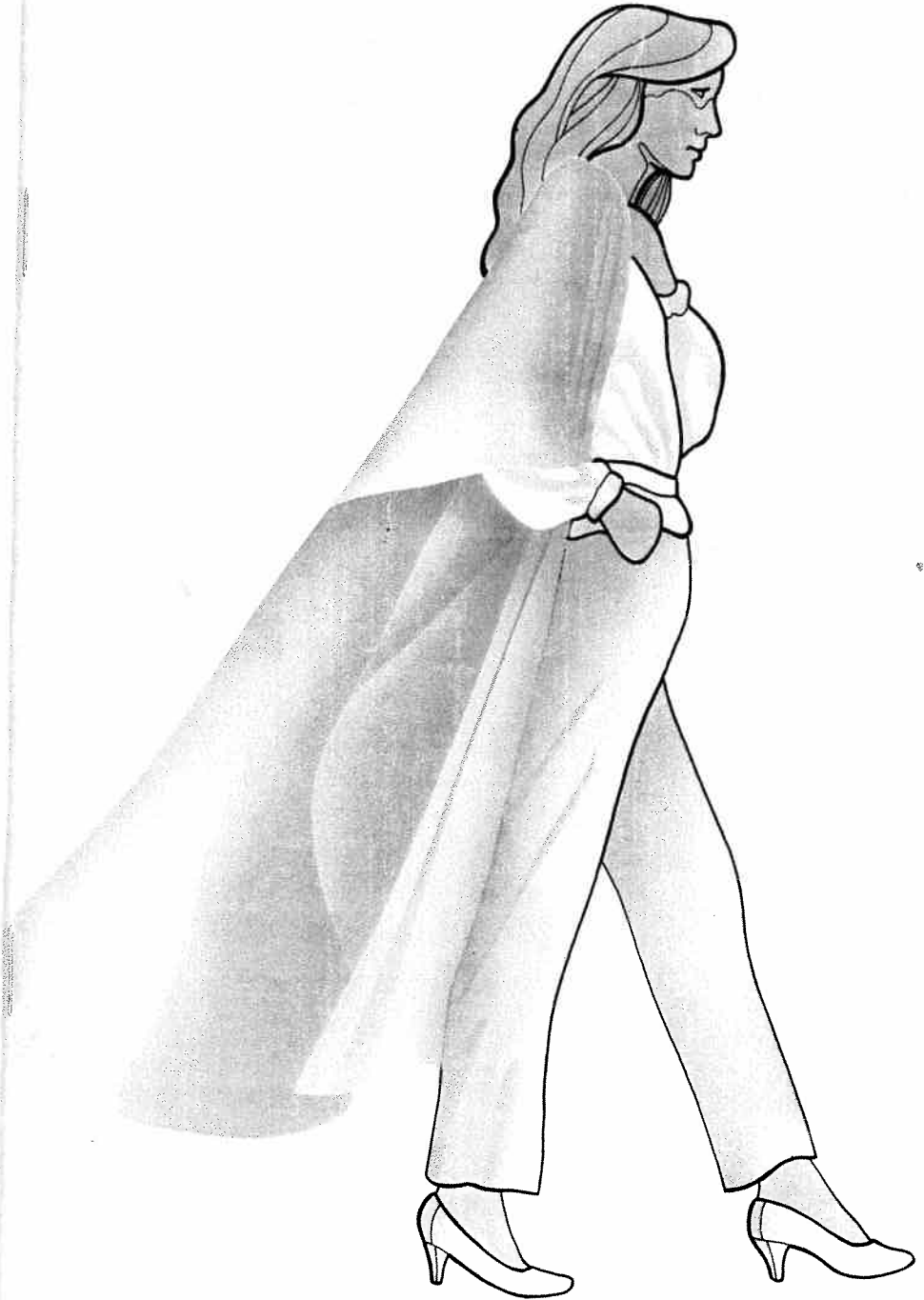


# HANDBOOK FOR HUSKYLOCK

MODELS 435/435C/435D and 535/535C/535D



## **Thank you very much for purchasing an Overlock sewing machine**

You have just purchased an overlock sewing machine for sewing all kinds of fabrics – cotton, wool, rayon, tricot, jersey, knitted goods – thick or thin. You cannot be other than satisfied with its perfect and beautiful stitches and its long operating life.

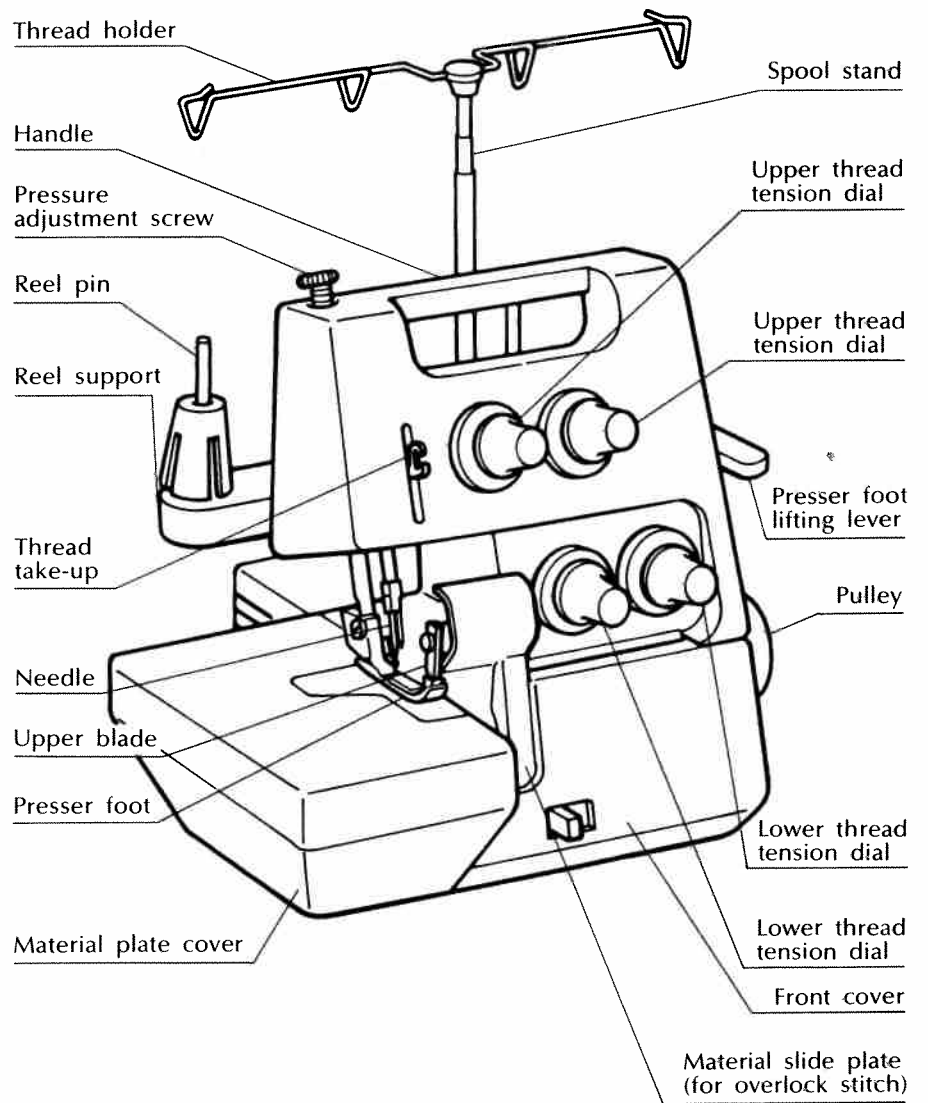
But, however excellent this sewing machine may be, it cannot operate to its fullest capacity unless it is handled correctly.

Please read the following instructions carefully so that your new sewing machine will give you complete sewing enjoyment for years to come.

# TABLE OF CONTENTS

Names of parts and their functions .....	1
Needles .....	2
Turning direction of motor .....	3
Opening and closing the front cover .....	3
Operating .....	4
Changing light bulb .....	4
Motor .....	5
Threading .....	6-11
Preparation .....	6
MODELS 535/535C/535D and 435/435C/435D	
Threading underlooper .....	7
Threading overlooper .....	8
Threading right needle (M535/535C/535D) .....	9
Threading left needle (M535/535C/535D) .....	10
Threading needle (M435/435C/435D) .....	11
Test-sewing Models 535/535C/535D and 435/435C/435D .....	12
Chaining-off .....	12
Ratio Chart of Sewing Material, Thread and Needle .....	13
Thread Tension .....	14-19
MODEL 535/535C/535D .....	14-16
MODEL 435/435C/435D .....	17-19
Sewing Pitch and Size of Bight .....	20-21
Curling Stitch and Light Lock Stitch (M435C/535C) .....	22-26
Instructions for models equipped with differential feed mechanism (M435D/535D) .....	27
Sewing .....	28-29
To start sewing .....	28
To remove the work .....	28
If threads break during sewing .....	28
To sew thick material .....	29
Presser foot pressure .....	29
Fault-finding .....	30
Stitch Selection .....	31
MODELS 535, 535C and 535D .....	31
Replacing the Blades .....	32
Oiling .....	33
Machine Specification .....	34

# Names of parts and their functions

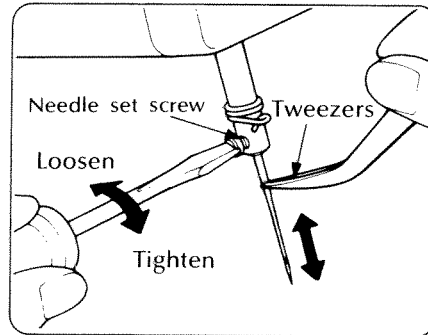


## Needle

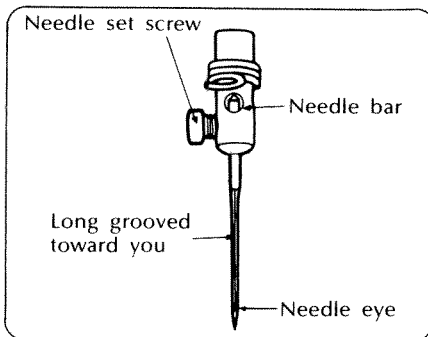
\* TE × 1 (# 11 & # 14), DB × 1 (# 9, 11, 14), DB × 1KN # 11 can be used on these machines. TE × 1 (# 14) is mounted on the machines.

### NOTE

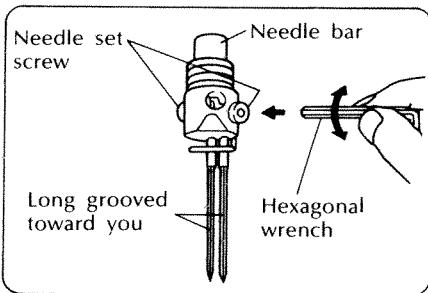
It is recommendable to use the golden needle (DB × 1 KN#11) in the accessory when sewing knitted garments.



Model 435/435C/435D



Model 435/435C/435D



Model 535/535C/535D

### To remove the needle

- (1) Turn the pulley clockwise by hand until the needle is raised to the highest position.
- (2) Loosen the needle set screw with the screwdriver or hexagonal wrench (in case your machine is M535/M535C/M535D) and remove the needle.

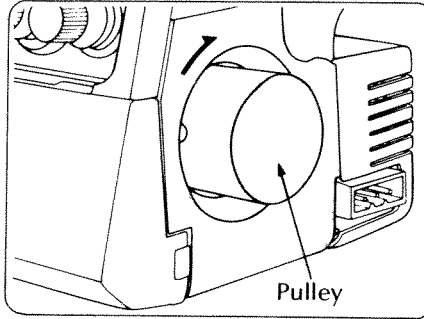
### NOTE:

When removing the needle, hold the needle with the tweezers to avoid dropping it.

### To fit the needle

- (1) Turn the pulley until the needle bar is raised to the highest position.
- (2) Hold the needle with its long grooved side to the front and insert it as far as the needle stops.
- (3) Tighten the needle set screw securely, taking care that the needle is set in the correct position.

### Turning direction of motor

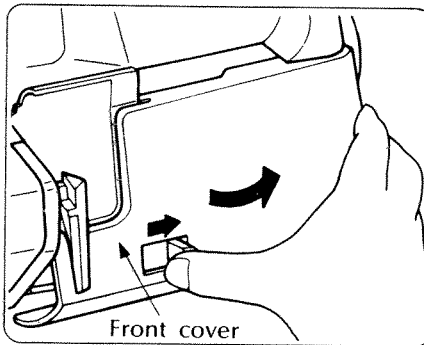


\*The motor of the is machine turns in a clockwise direction (direction of arrow), as opposed to the anti-clockwise direction of an ordinary domestic sewing machine.

### Opening and closing the front cover

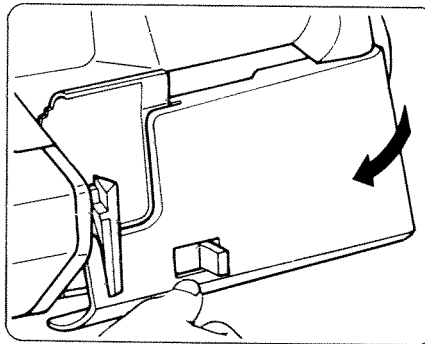
When threading, it is necessary to open the front cover.

Note: When sewing, ensure that the front cover is closed.



#### To open the front cover

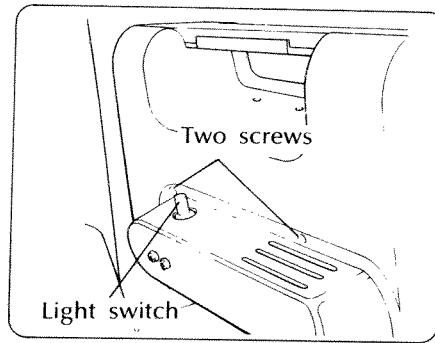
Move the knob on the front cover in the direction of the arrow and pull it open.



#### To close the front cover

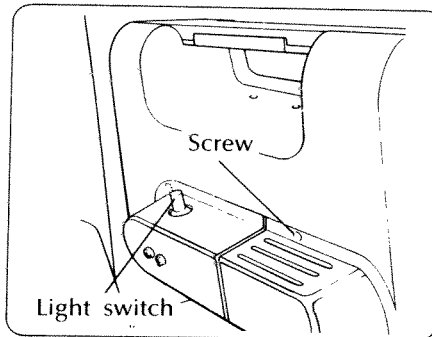
Push the front cover on by hand as illustrated here.

## Operating



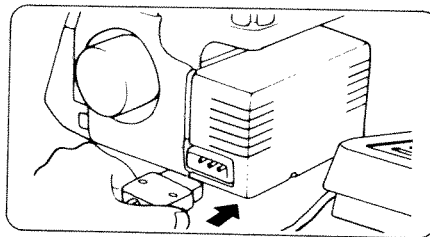
### Changing the light bulb

Undo the two upper screws on the back of the machine as illustrated, remove the cover and screw the light bulb out. Insert the new bulb and screw the cover in place. Use 15 W light bulbs as indicated on the lamp holder.



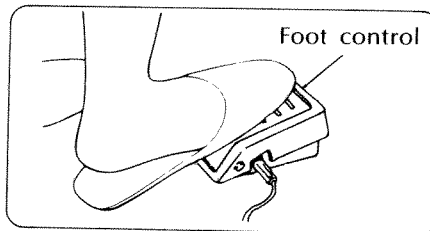
For U.S.A. & CANADA

Undo one screw on the back of the machine as illustrated, and follow same procedure as above.



### Preparation

\* Insert the three-pin plug into the socket of the motor and insert the supply plug into the power outlet.



### Operation

When the pedal is lightly depressed, the machine runs at low speed and as it is depressed further, the machine will increase speed. When the pedal is released, the machine will stop.

## NOTES ON THE MOTOR

- ☆ The normal operating speed of this sewing machine is 1,500 stitches per minute, which is quite fast compared to the normal operating speed of 300 to 800 stitches per minute for the ordinary foot-operated home sewing machine. It should be noted that the motor of this sewing machine turns in the opposite direction to the motor in an ordinary home sewing machine.
- ☆ The bearings in the motor are made of a special, sintered oil-impregnated alloy mounted in oil-soaked felt to withstand long hours of continuous operation.
- ☆ Continuous operation of the sewing machine will heat the motor and foot control a little, but not enough to adversely affect its performance. The motor and foot control are equipped with ventilating holes, which must not be covered with cloth or paper during use.
- ☆ When the motor is running, sparks can be seen through the ventilating hole in the motor bracket on the side opposite the pulley. These sparks are produced by the carbon brushes and the commutator, and are of no significance.

### For U.K.

Safety regulations for domestic sewing machines in conformity with "CEE Publication No. 10, Part II, Section C, Article 7.1".

When the machine is not in use, or when threading or replacing needle or blades, the machine must be disconnected from the power supply by removing the plug from the wall socket.

Use bulbs designed for max. 15 W (wattage).

The machine has an interference suppressor for radio and television, complying with Directive No. 76/889 E.E.C. and C.I.S.P.R.

### CAUTION

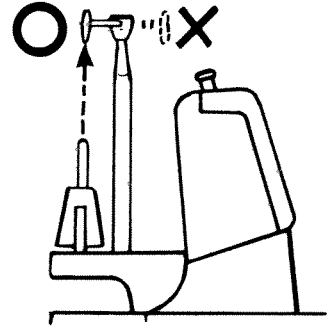
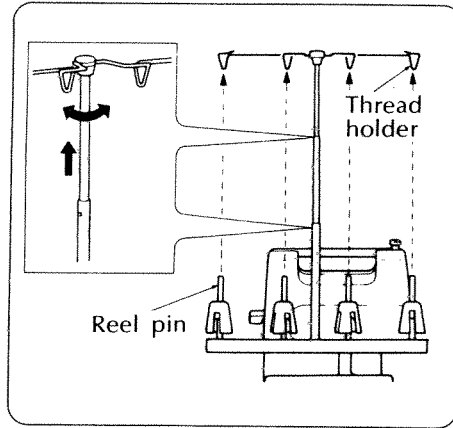
**WHEN THREADING, REPLACING NEEDLE OR BLADES, OR WHEN MACHINE IS NOT IN USE, IT IS RECOMMENDED THAT THE ELECTRIC SUPPLY PLUG IS DISCONNECTED TO AVOID ANY POSSIBLE HAZARDS.**



# Threading

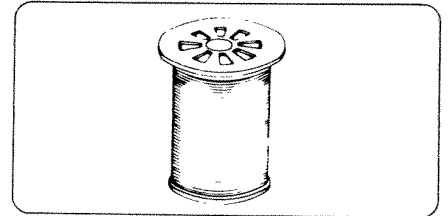
## Preparation

Raise the spool pin right up and set it by the positioning stopper at the joint of the upper and lower sections of the pin. Make sure that the thread holders are right above the reel support.



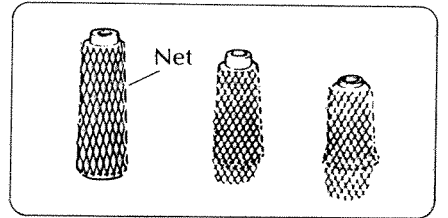
## How to use the thread spool cap

When you use a wooden thread reel, use the thread spool cap as illustrated to the right.



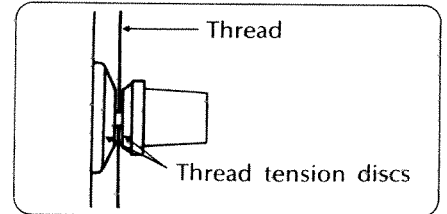
## How to use the net

If you are sewing with loosely-spun nylon thread we recommend that you cover the spool with the net supplied to prevent the thread from slipping off the spool. Adapt the net to the shape of the spool, see illustration.



## NOTE:

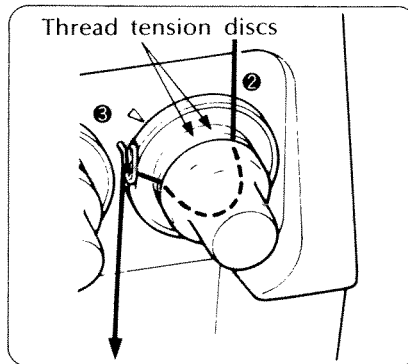
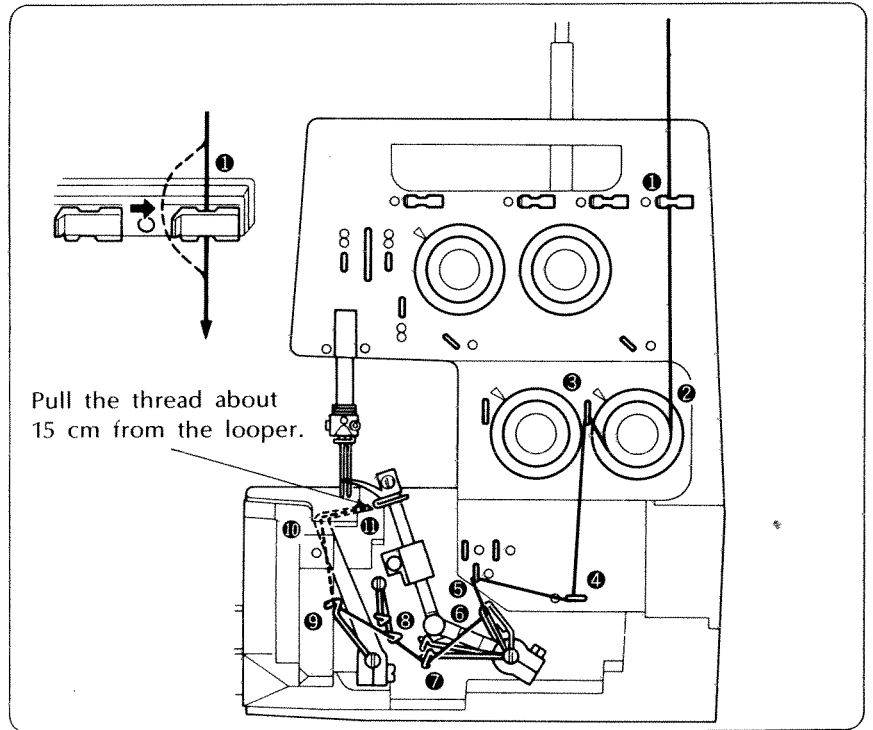
Ensure that each thread runs between the two thread tension discs.



# THREADING – MODEL 535/535C/535D & 435/435C/435D

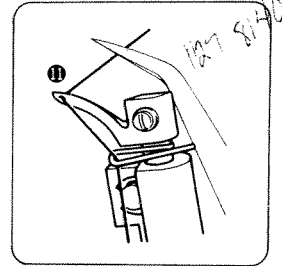
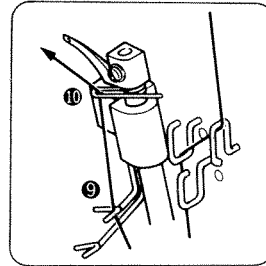
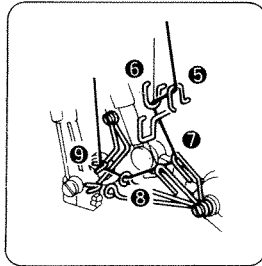
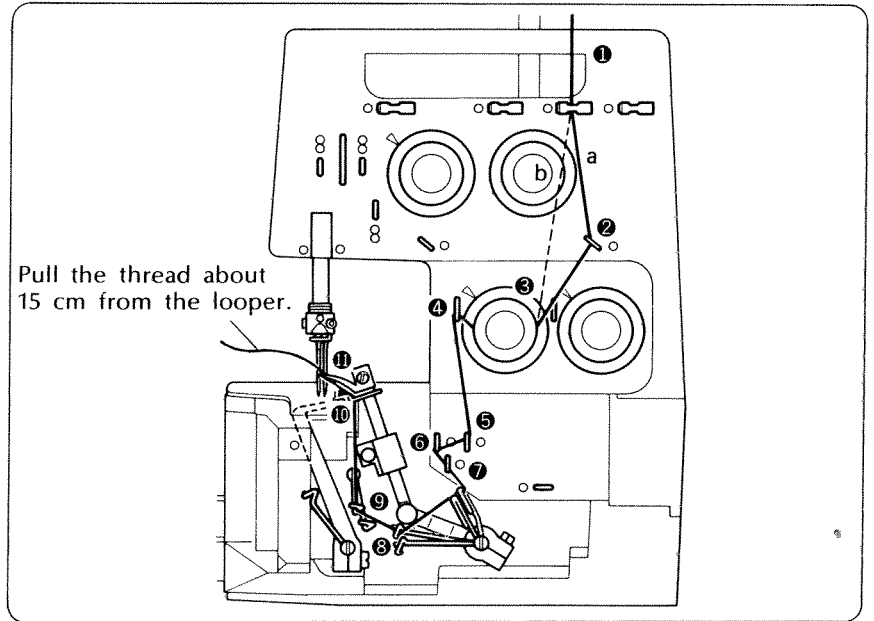
## Threading underlooper

\* Run the thread in the sequence illustrated.



## Threading overlooper

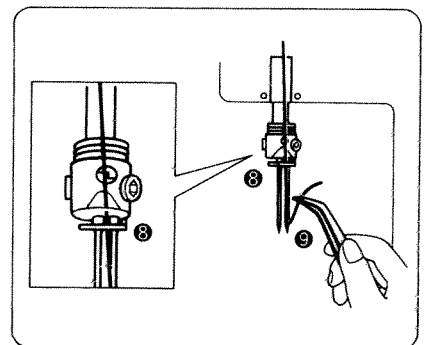
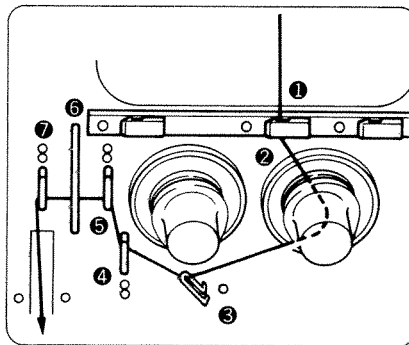
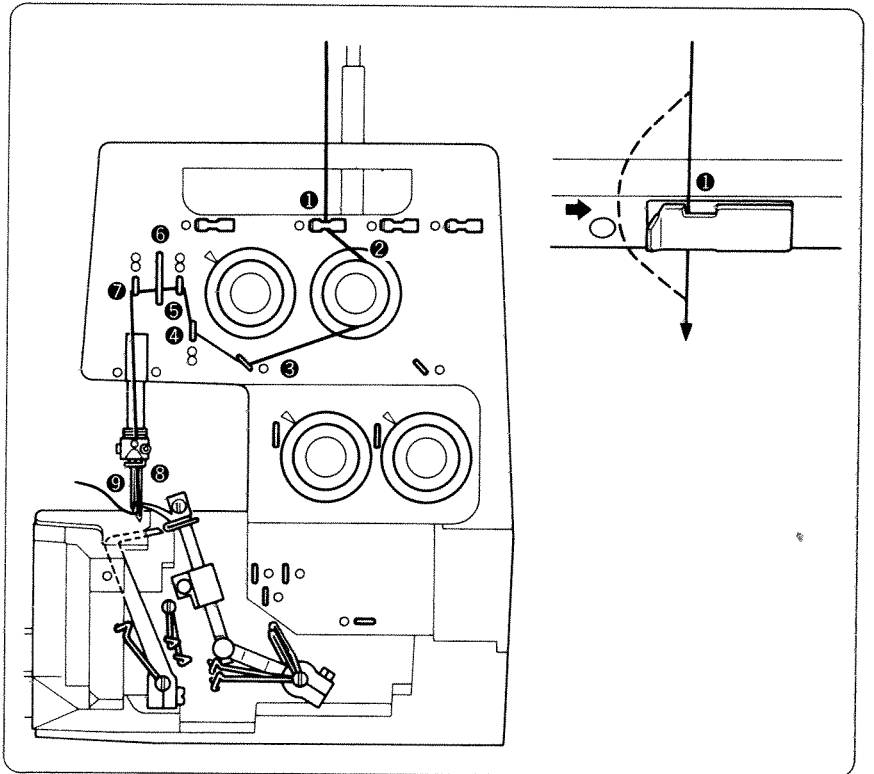
\* Run the thread in the sequence illustrated.



NOTE: When threading M535/M535C/M535D, thread through a).  
When threading M435/M435C/M435D, thread through b).

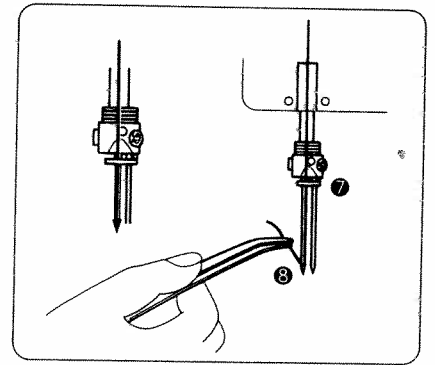
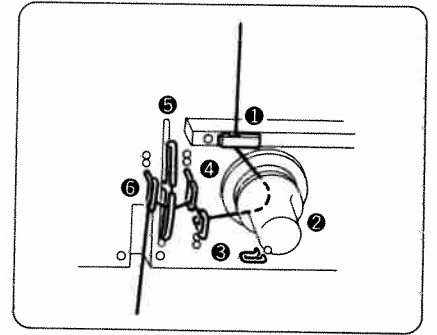
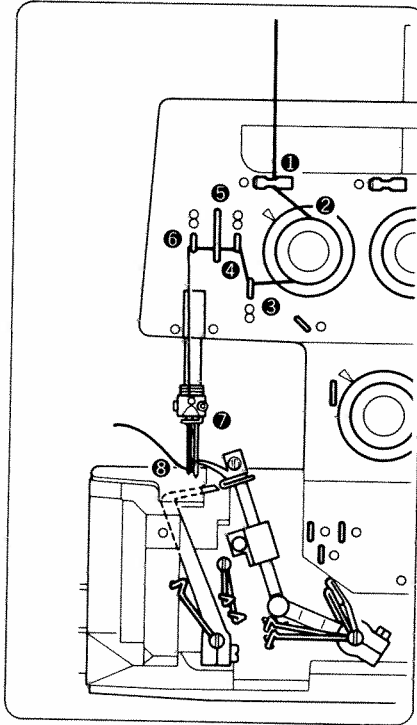
## Threading right needle M535, M535C & M535D

\* Run the thread in the sequence illustrated.



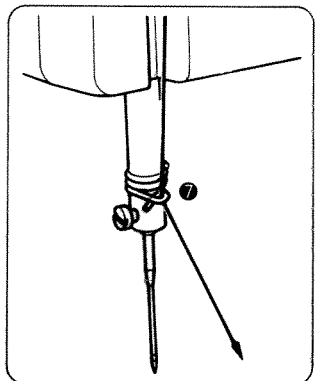
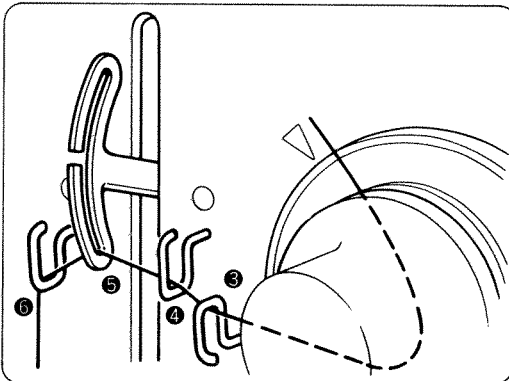
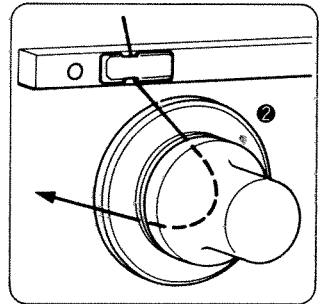
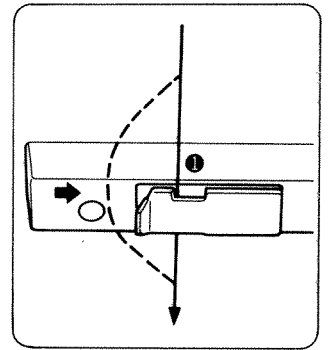
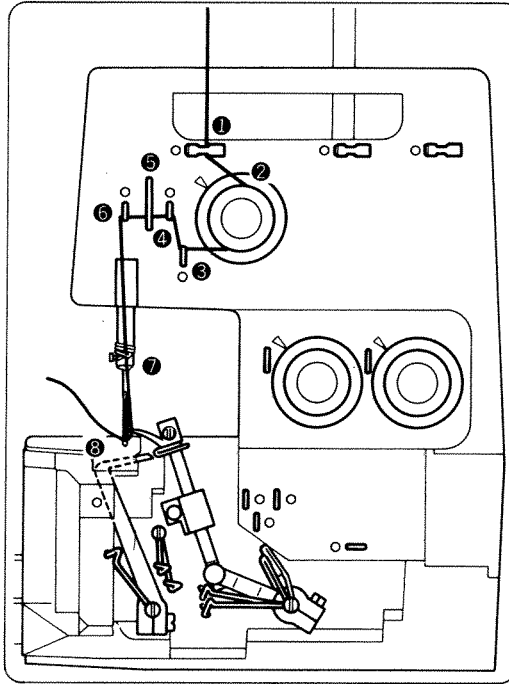
### Threading left needle M535, M535C & M535D

\* Run the thread in the sequence illustrated.



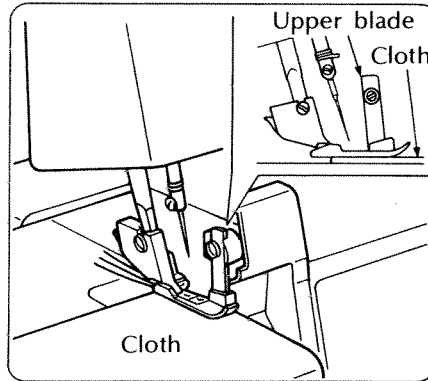
### Threading needle M435, M435C & M435D

\* Run the thread in the sequence illustrated.

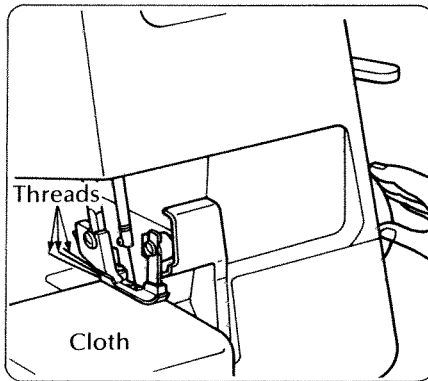


## Test-sewing – Models 535/535C/535D & 435/435C/435D

\* Test-sew after threading.



(1) Place material for test-sewing well under the presser foot.



(2) Hold the needle threads with your left hand, turn the pulley slowly a few turns in a clockwise direction with your right hand, and observe how the threads entwine themselves before starting sewing.

### Chaining-off

\* After test-sewing, hold the foot control depressed slightly for a while (chaining-off). The threads will entwine themselves into a chain and be fed forward automatically.

#### NOTE:

If the thread tension is not correctly balanced, uneven chaining-off will result. In this case, pull the threads slightly.

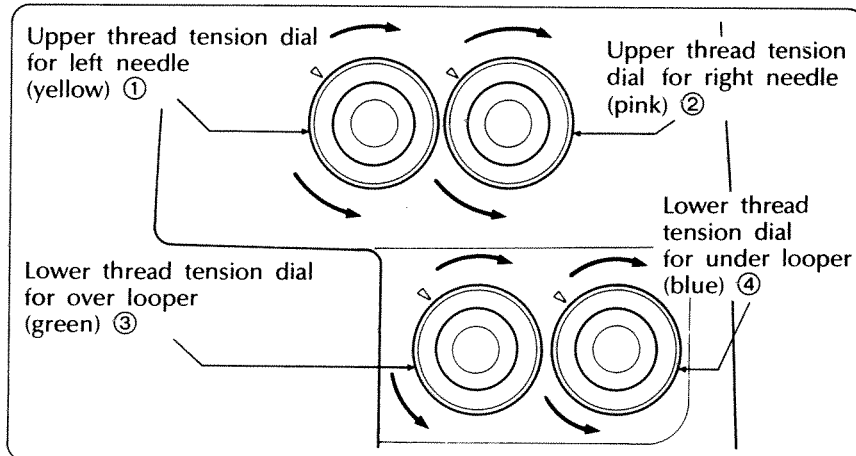
**RATIO CHART OF SEWING MATERIAL, THREAD AND NEEDLE**

Materials	Stitch	Thread	Sewing pitch (mm)	Needle
Light material	Over lock stitch	Spun thread # 80 Cotton thread # 80-100 Silk thread # 80-100	2.0-3.0	TE x 1 (# 11) DB x 1 (# 9 or # 11)
	Curing stitch Narrow lock stitch	Needle thread Tetron thread # 80 Nylon thread # 80 Underlooper thread Tetron thread # 80 Nylon thread # 80 Wooly nylon thread	Smaller than 2.0	
Medium material	Over lock stitch	Spun thread # 60-80 Cotton thread # 60-80 Silk thread # 50-80 Tetron thread # 50-80 Nylon thread # 50-80	2.5-3.5	TE x 1 (# 11 or # 14) DB x 1 (# 11 or # 14) DB x 1KN (# 11)
Heavy material	Over lock stitch	Cotton thread # 40-60 Silk thread # 40-60 Tetron thread # 30-60 Nylon thread # 30-60	3.0-4.0	TE x 1 (# 14) DB x 1 (# 14)



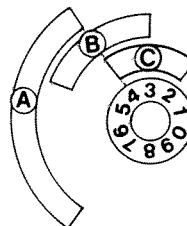
# Thread Tension – Model 535, 535C & 535D

## Thread tension dial



## Tension control

Sewing is possible at position "4" under almost any circumstances. If you find it impossible, adjust according to the drawing.



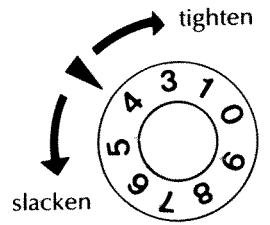
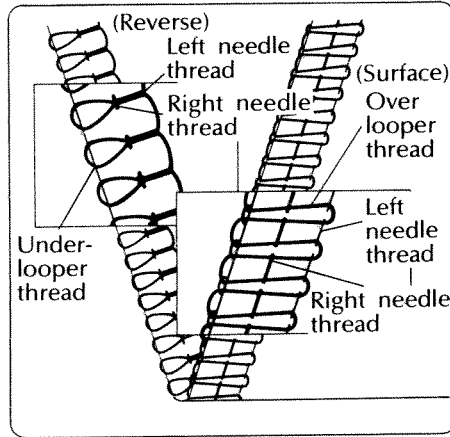
A . . . for heavy use    B . . . for medium use    C . . . for light use  
(Standard: Cotton thread No.50)

\* The thread tension of this machine can be adjusted by four thread tension adjustment dials of the two needle threads, overlooper thread and underlooper thread. The correct thread tension varies with the kind of fabric, the thickness of thread etc. Adjust the thread tension as required for each particular case. Turning the dials clockwise increases the tension and turning counterclockwise slackens it.

## Adjusting the thread tension

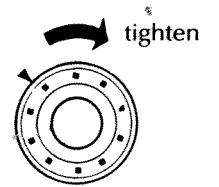
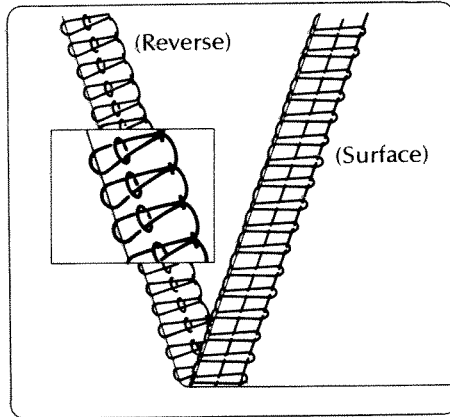
- (1) Select the correct tension, refer to above illustration.
- (2) If you cannot find the correct tension, refer to the illustrations "In this case" on following pages.

**Correct thread tension**



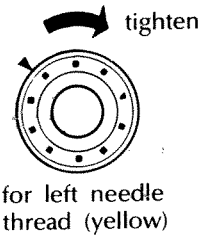
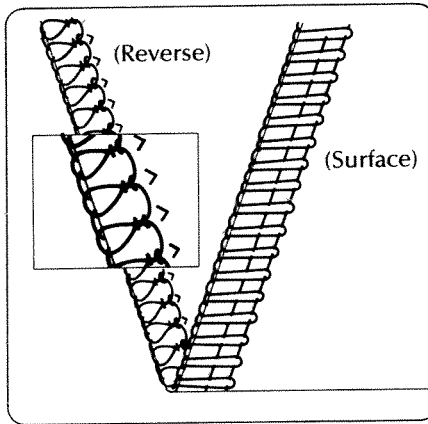
NOTE: Do not pull the dial, just turn it.

**In this case**

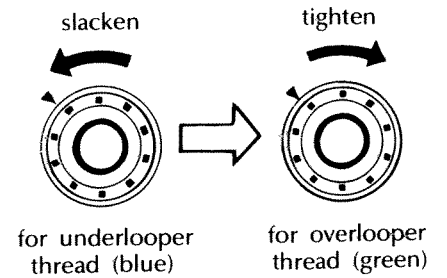
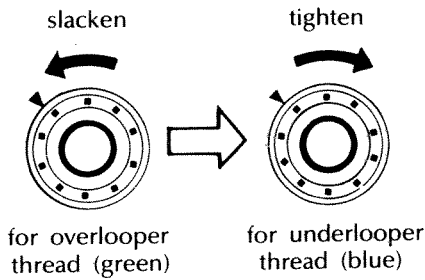
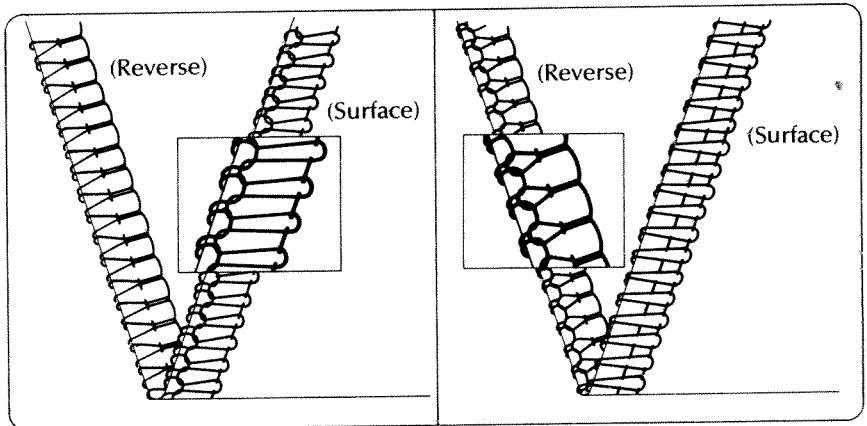


for right needle thread  
(pink)

In this case

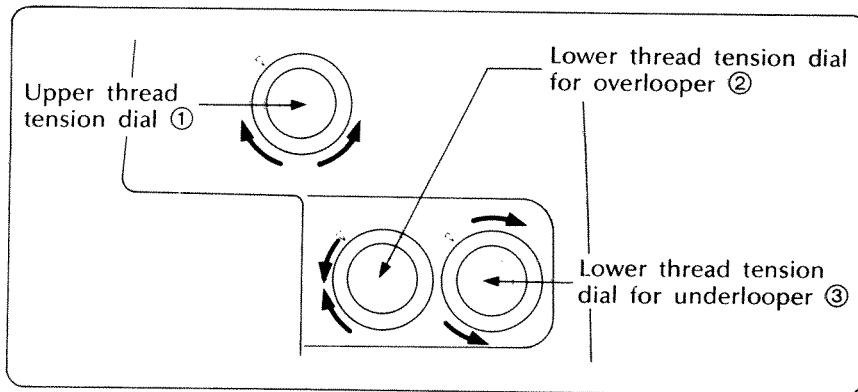


In this case



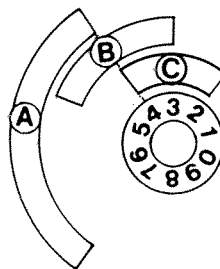
# Thread Tension – Model 435, 435C & 435D

## Thread tension dial



## Tension control

Sewing is possible at position "4" under almost any circumstances. If you find it impossible, adjust according to the drawing.



A . . . for heavy use    B . . . for medium use    C . . . for light use

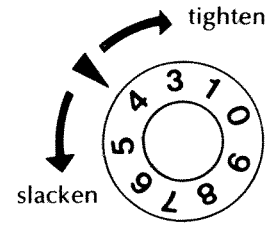
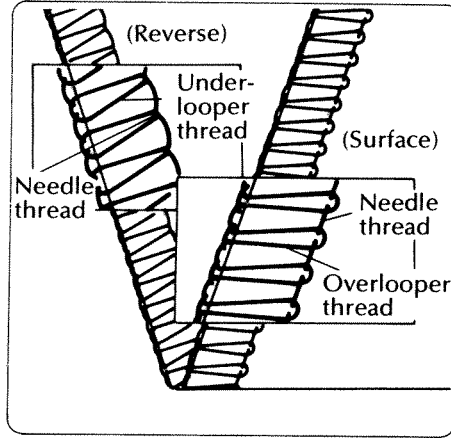
(Standard; Cotton thread No.50)

\* The thread tension of this machine can be adjusted by three thread tension adjustment dials of the needle thread, overlooper thread and underlooper thread. The correct thread tension varies with the kind of fabric, the thickness of thread, etc. Adjust the thread tension as required for each particular case. Turning the dials clockwise increases the tension and turning counterclockwise slackens it.

### Adjusting the thread tension

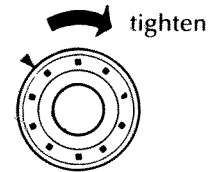
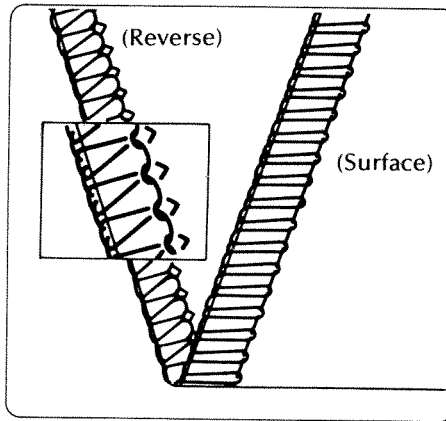
- (1) Select the correct tension, refer to above illustration.
- (2) If you cannot find the correct tension, refer to the illustrations "In this case" on following pages.

### Correct thread tension



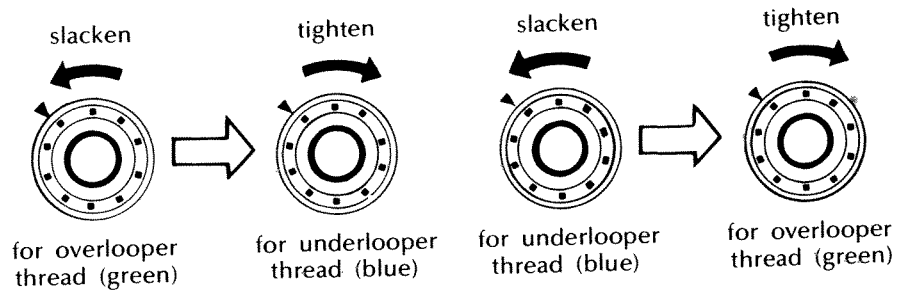
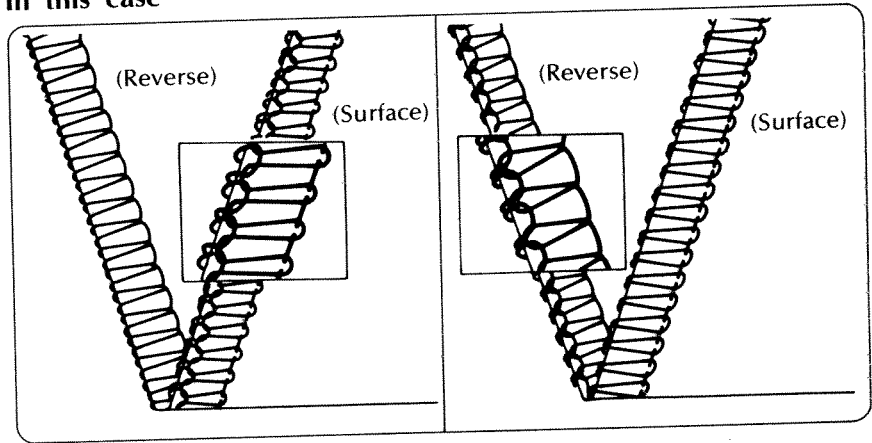
NOTE: Do not pull the dial, just turn it.

### In this case



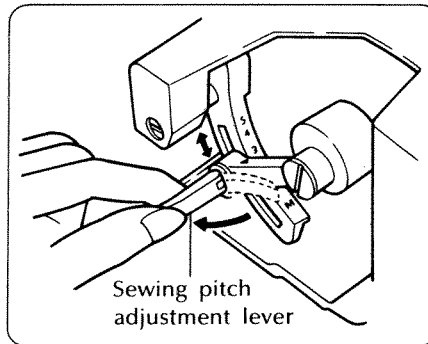
for needle thread  
(yellow)

In this case



# Sewing Pitch and Size of Bight

## Sewing Pitch (Stitch Length) M435/435C/435D & M535/535C/535D

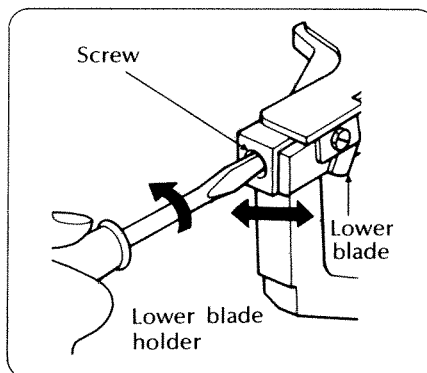
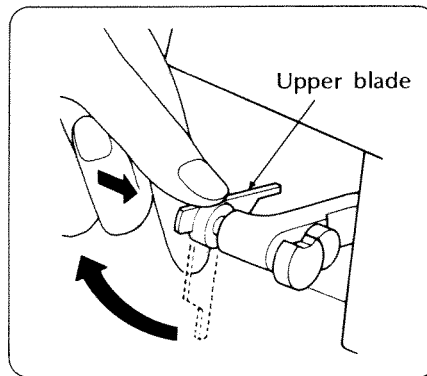


\*When you change the sewing pitch, open the cloth plate cover. Raise the adjustment lever and set the lever to the proper position, then lay the adjustment lever down.

You can adjust the sewing pitch from minimum 2 mm to maximum 5 mm.

## Size of Bight (Stitch Width) M435/435C/435D

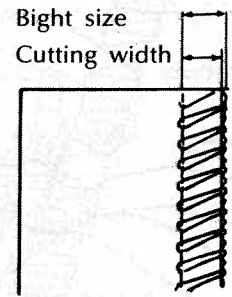
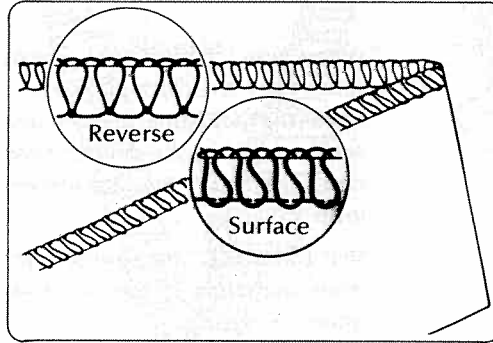
The size of bight can be adjusted as follows:



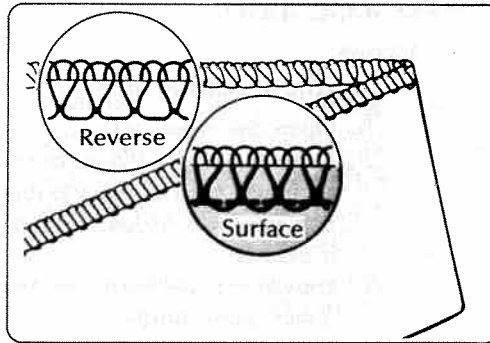
### To adjust cutting line:

- (1) Open the front cover.
  - (2) Move the upper blade on the right and turn in arrow direction until it is locked keeping it pushed.
  - (3) Loosen the set screw for the lower blade holder.
  - (4) Move the lower blade holder to the left or to the right.
- \*If the lower blade holder is moved to the left, the distance between the left needle position and cutting line will be less. If the lower blade holder is moved to the right, the distance will increase.
- (5) Tighten the set screw temporarily.

**The correct cutting width and bight size:**

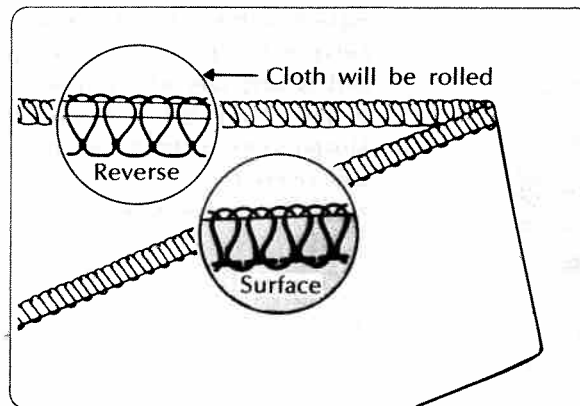


**If the cutting width is narrower than the bight size:**



\* Loosen the screw for lower knife holder, move the holder to right, then adjust the bight size and cutting width.

**If the cutting width is wider than the bight size:**



\* In this case, the cloth will be rolled. Loosen the screw for lower knife holder and move the holder to left, then adjust the bight size and the cutting width.



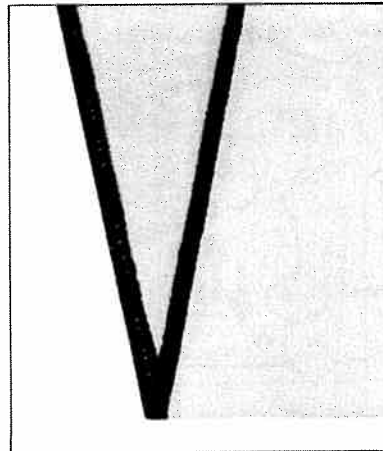
## Curling Stitch and Light Lock Stitch – Models 435C & 535C

### One-touch changing mechanism for curling stitch/light lock stitch

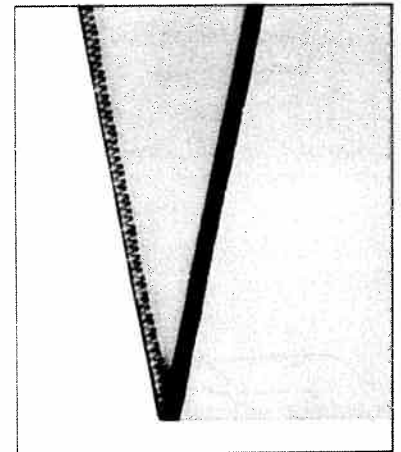
- \* In case your machine is equipped with this device, follow instruction.
- \* Difference on setting between curling stitch, light lock stitch and ordinary over lock stitch.

	Curling stitch Light lock stitch	Over lock stitch
Sewing pitch	M-2	2-5
Changing switch	M	S
Presser foot	Curling stitch presser foot (M)	Ordinary presser foot
* Make sure to change the switch to "M", before attaching curling stitch presser foot (M).		

**Curling stitch**

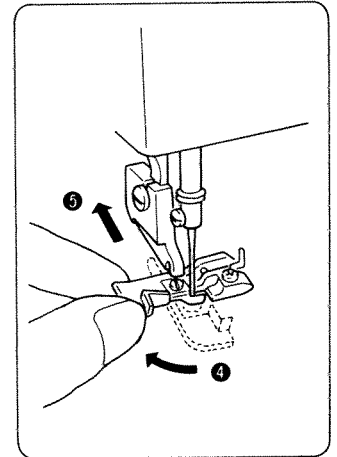
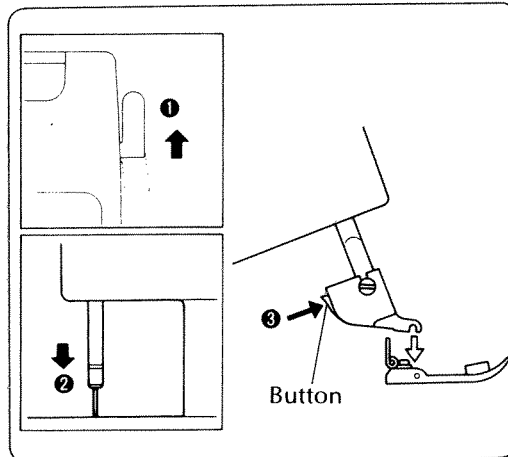


**Light lock stitch**



\* Use ... over edge hemming for skirt, handkerchief, or blouse ... etc.

1. Remove ordinary presser foot.

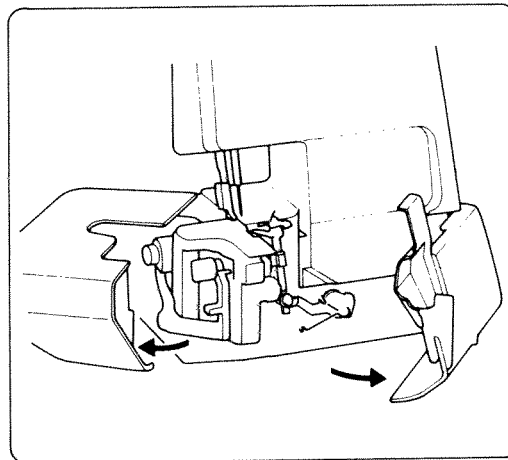


- ① Raise the presser foot lever.
- ② Position the needle to its lowest position, by turning the pulley.
- ③ Push the button.

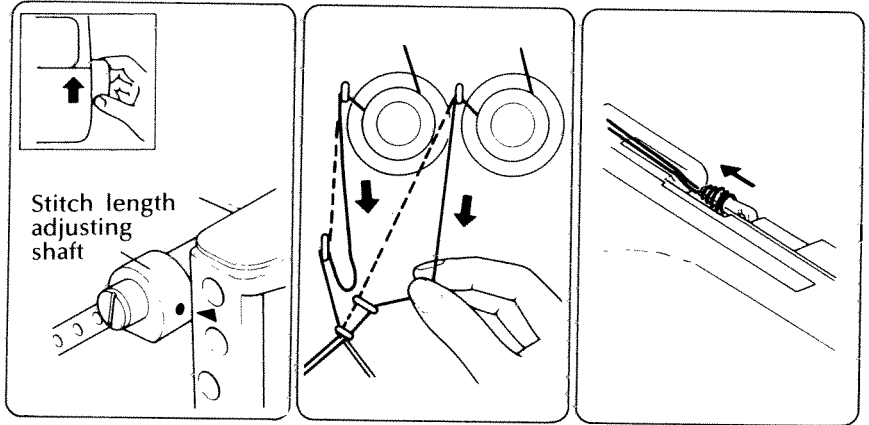
NOTE: In case your machine is equipped with two needles, at first take off right needle facing you and follow instruction.

Remove the presser foot by turning as illustrated. At this time, it is recommendable that you raise presser foot lever to the maximum (to the second step) for easy removing.

2. Open the front cover and cloth plate.



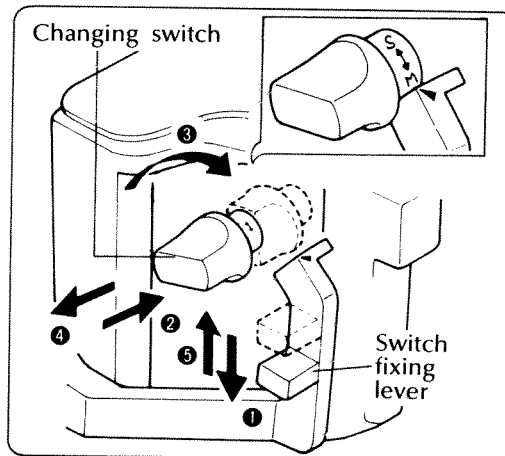
3. Change to the curling stitch setting.



Set ● on stitch length adjusting shaft at ▲ by turning the pulley.

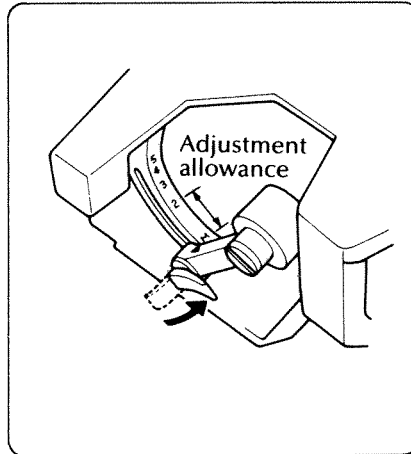
Loosen the over looper thread and under looper thread.

Remove the thread.



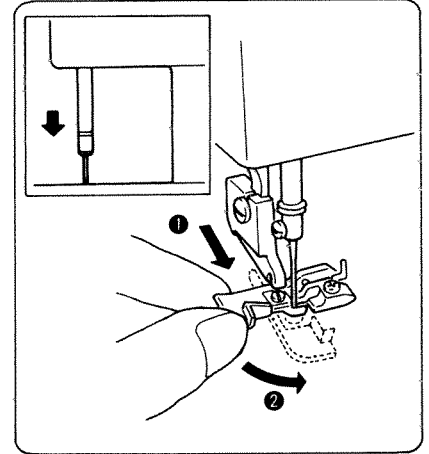
After lowering needle, lower switch fixing lever, as illustrated in number (1)  
 Change the switch to M, as illustrated in (2 to 4).  
 If you want over lock stitch, change the switch to S, as illustrated.

4. Set the sewing pitch at (M-2).

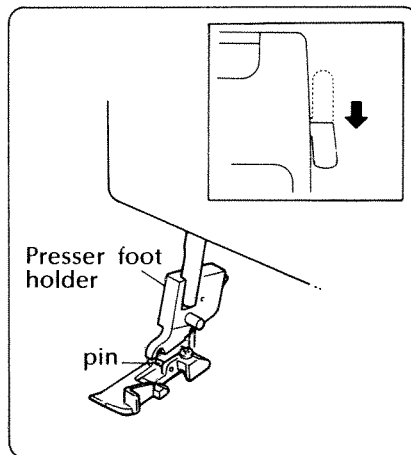


Set the lever at (M-2) and close the front cover and cloth plate cover.

5. Place the presser foot (M)



Position the needle to its lowest by turning the pulley clockwise and place the curling stitch presser foot (M) as illustrated.







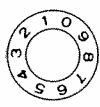

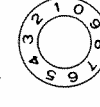
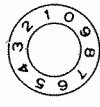

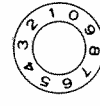


Position the presser foot just under the holder. Then lightly holding the presser foot by your left hand, lower the presser foot lever so that the holder catch the presser foot.

\* Check the secure attaching by raising and lowering the presser foot lever.

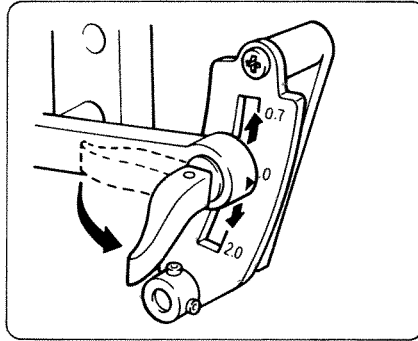
# THREAD TENSION

Ratio chart of sewing material, thread and thread tension

Material	Curling stitch			Light lock stitch		
	Needle thread	Overlooper thread	Underlooper thread	Needle thread	Overlooper thread	Underlooper thread
(Light material) Crepe de chine Georgette Lawn Organzie etc.	Nylon # 80 Tetron # 80	Wooly nylon	Nylon # 80 Tetron # 80	Nylon # 80 Tetron # 80	Wooly nylon Nylon # 80 Tetron # 80	Nylon # 80 Tetron # 80
	Thread tension	Slacken	Tighten	Slacken	Slacken	
						
						
				Correct thread tension		
				Correct thread tension		

# Instructions for Models Equipped with Differential Feed Mechanism – Models 435D & 535D

## How to adjust the differential feed ratio

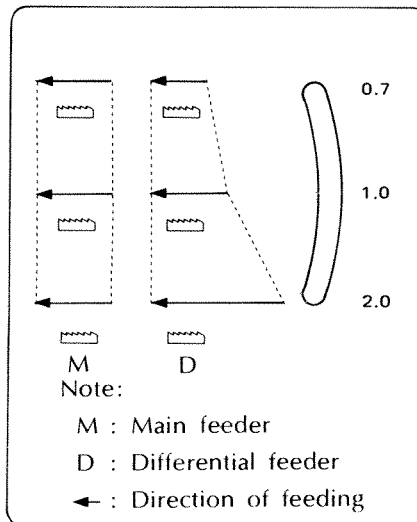


- (1) Open the cloth plate cover.
- (2) Loosen the feed ratio adjusting lever.
- (3) Adjust the feed ratio as required.
- (4) Fasten the adjusting lever.
- (5) Close the cloth plate cover.

## What is “differential feed ratio”?

The machine is equipped with two feeders, whereof the foremost one (the differential feeder) can be adjusted to feed more or less in relation to the rear one (the main feeder).

It is adjustable between 0.7-2.0. The exact adjustment is dependent on the thickness and elasticity of the material. The stitch length also affects the adjustment. The longer the stitch the more compactly the material is pressed.



## Adjustment example

### Stretch material

Adjustment to 0.7 results in a stretched edge

Adjustment to 2.0 prevents the edge from stretching

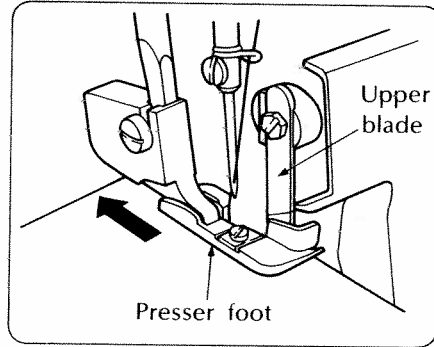
### Non-stretch material

Adjustment to 0.7 results in a straight edge

Adjustment to 2.0 results in puckering

## Sewing

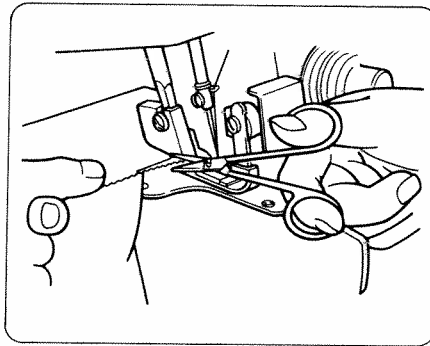
### To start sewing



\* Place the fabric well underneath the presser foot before starting to sew. Slowly sew a few stitches by turning the pulley by hand.

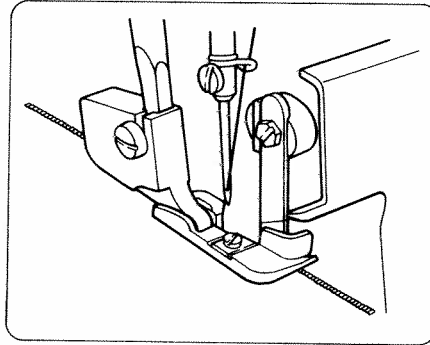
\* The fabric will be fed automatically. You need only guide it in the required direction.

### To remove the work



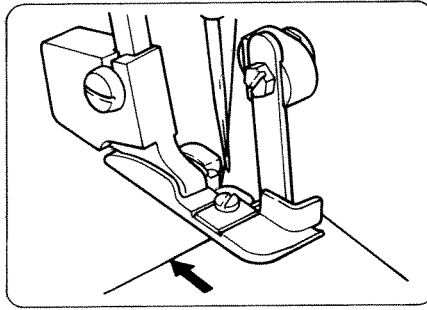
\* When the seam is finished, keep the machine running at low speed to obtain chaining-off. Then cut the stitches 5 cm from the work. If feeding for chaining-off is not enough, pull the thread gently.

### If threads break during sewing



\* Remove the material and re-thread correctly. Replace the material under the presser foot and sew 3–5 cm over the previous stitches.

### To sew heavy material



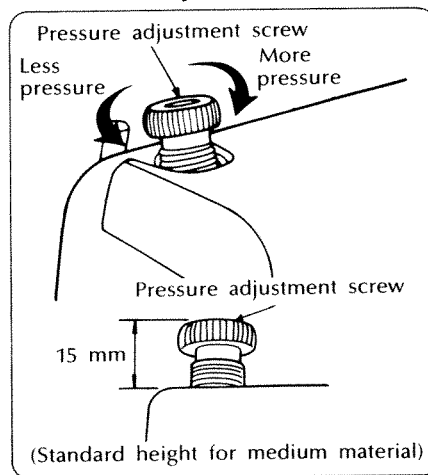
\* Place the material underneath the presser foot until it touches the front of upper blade. Then, start sewing.

\* Do not lift the presser foot while sewing.

### To sew fine material

- (1) Adjust the pressure to prevent material from puckering and to facilitate sewing curves.
- (2) The standard bight for the overlock machine is 3.5 mm, but when you sew fine material, select a bight size smaller to avoid edge rolling. (Refer to pages 20–21).
- (3) Slacken the thread tension, but remember that too slack tension may cause the thread to break and skipped stitches will occur.
- (4) When using synthetic thread, do not pass the thread through the thread guide spring.
- (5) Blunt blades will not cut a clean seam, and also cause the fabric to pucker. (Refer to page 32 for changing the blades.)

### Presser foot pressure



\* The pressure of the presser foot can be adjusted by turning the pressure adjustment screw. Since this machine has already been adjusted to a pressure suitable to light and medium-fabrics, no further adjustment is necessary except when sewing very heavy or very light materials. Usually, when sewing very light materials, the presser foot pressure should be slack and when sewing very heavy materials, it should be tight.



## Fault-finding

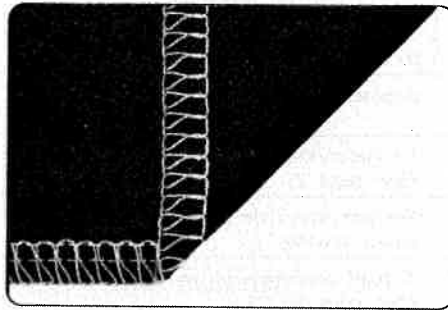
This sewing machine is designed for trouble-free operation. However the following chart indicates faults which may develop in the absence of basic adjustments.

Trouble	Cause	Remedy
1. Won't feed.	Presser foot pressure too weak.	Turn pressure adjustment screw clockwise to increase presser foot pressure.
2. Needles break.	1. Needles bent, or needle tip blunt.	Replace with new needle.
	2. Needles incorrectly fitted.	Fit needles correctly. (See page 2)
	3. Material pulled forcibly.	Do not press or pull material too hard when sewing.
3. Threads break	1. Threaded wrong way.	Thread correctly. (See page 6~11)
	2. Thread caught up in something.	Check spool pin, thread holders, etc, to see that thread are not caught up.
	3. Thread tension too tight.	See page 14~19 "Thread tension".
	4. Needles incorrectly fitted.	Fit needles correctly. (See page 2.)
	5. Wrong needle used.	Use sewing machine needle TE × 1 (DB × 1), 1738 or 16 × 231
4. Skipped stitches.	1. Needle bent, or needle tip blunt.	Replace with new needle.
	2. Needle incorrectly fitted.	Fit needle correctly. (See page 2.)
	3. Wrong needle used.	Use sewing machine needle. TE × 1 (DB × 1), 1738 or 16 × 231
	4. Threaded wrong way.	Thread correctly. (See page 6~11.)
	5. Presser foot pressure too weak.	Turn pressure adjustment screw clockwise to increase presser foot pressure.
5. Stitches not uniform.	Thread tensions not adjusted properly.	See page 14~19 "Thread tension".
6. Fabric puckered.	1. Thread tension too tight.	Decrease thread tension when sewing light weight or fine material. (See page 14~19.)
	2. Threaded wrong way, or threads caught up in something.	Thread correctly. (See page 6~11.)

## Stitch selection

### MODELS 535, 535C AND 535D

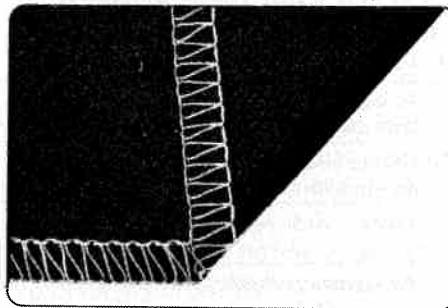
☆ These sewing machines can form three kinds of stitches in simple steps as follows;



#### 1. Four-thread overlock stitch

Use all the four threads and two needles for producing four-thread overlock stitches, which will neatly fit all kinds of materials, especially knitted ones.

**Use:** Ideal for sewing knitted garments.

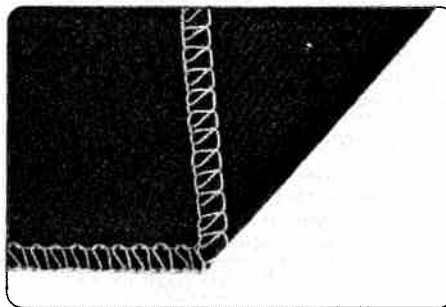


#### 2. Three-thread overlock stitch (5 mm)

Use three thread and left needle, producing 5 mm seams, which will fit all kinds of materials.

**Use:** For overlock stitching and sewing suits, blouses, slacks, etc.

**Note:** Take off right needle when sewing this overlock stitch.



#### 3. Three-thread overlock stitch (2.8 mm)

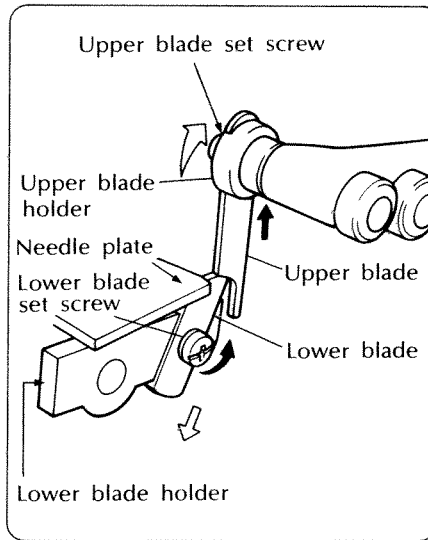
Use three threads and right needle, producing 2.8 mm seams.

**Note:** Take off left needle when sewing this overlock stitch.

## Replacing the Blades

If the blades are blunt, they will cause the material to pucker and uneven stitches.

- \* If one strand of thread can be cut off in front of or at the rear of the blade, the blade is sharp enough.
- \* When the blades are blunt, replace them by new ones as described below. Be sure to unplug the contact from the power supply before doing so.



### Replacing the upper blade

- (1) To remove, loosen the upper blade set screw and pull up the upper blade.
- (2) Insert the new blade into the upper blade holder.
- (3) Then turn the pulley by hand until the upper blade is right down. Check the the upper blade is in front of the lower one and adjust the clearance between it and the edge of the lower blade i.e. from 0.5 mm to 1.0 mm.
- (4) Retighten the upper blade securely.

### Replacing the lower blade

- (1) Remove the lower blade set screw and pull down the lower blade.
  - (2) Insert the new blade into the lower blade holder.
  - (3) Position the lower blade so that its edge is flush with the needle plate.
  - (4) Tighten the lower blade set screw.
- \* It is important to adjust the alignment of the upper and lower blades for sharp cutting.

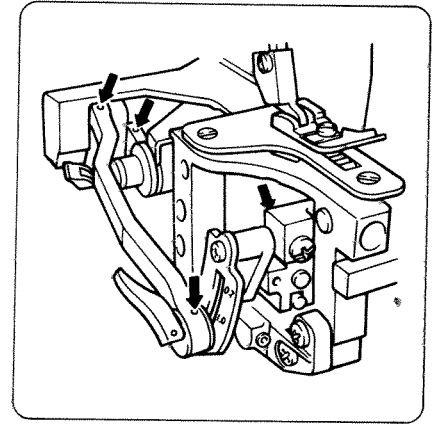
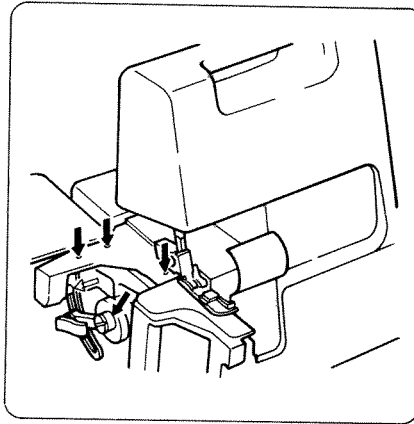
## Oiling

For smooth and silent operation the moving parts of the machine should be oiled periodically. (See diagram below.)

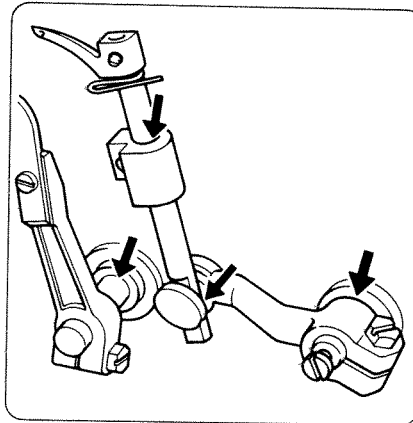
### REMARKS:

1. Oil 1 to 2 drops at the oiling points.
2. OIL ONCE OR TWICE A MONTH IF MACHINE IS USED NORMALLY. IF MACHINE IS USED MORE OFTEN, OIL ONCE A WEEK.
3. After oiling, run the machine without thread and the presser foot up. Wipe off excess oil with a scrap of material to avoid oil stains.

NOTE: It is recommended that you use sewing machine oil.



Models 435D and 535D



Models 435/435C/435D  
and 535/535C/535D

## Machine Specification

Model No.	535 (535C)	535D	435 (435C)	435D
Use	Light to heavy weight materials	Elastic materials Knitted materials	Light to heavy weight materials	Elastic materials Knitted materials
Sewing speed	1,500 stitches per minute	1,500 stitches per minute	1,500 stitches per minute	1,500 stitches per minute
Bight size	2.8 mm and 5.0 mm	2.8 mm and 5 mm	3 mm to 5 mm	3 mm and 5 mm
Stitch length (pitch)	2 mm to 5 mm	2 mm to 5 mm	2 mm to 5 mm	2 mm to 5 mm
Needle bar stroke	25 mm	25 mm	25 mm	25 mm
Presser foot	Free presser type	Free presser type	Free presser type	Free presser type
Presser foot holder	Snap-on type	Snap-on type	Snap-on type	Snap-on type
Presser foot lift	5.0 mm/6.0 mm	5.0 mm/6.0 mm	5.0 mm/6.0 mm	5.0 mm/6.0 mm
Needle	TE x 1 # 14 (DB x 1 usable), DB x 1 KN # 11 (Golden Needle)	TE x 1 # 14 (DB x 1 usable), DB x 1 KN # 11 (Golden Needle)	TE x 1 # 14 (DB x 1 usable), DB x 1 KN # 11 (Golden Needle)	TE x 1 # 14 (DB x 1 usable), DB x 1 KN # 11 (Golden Needle)
No. of needles and threads	Three/Four threads convertible Two needles or single needle	Three/Four threads convertible Two needles or single needle	Three threads Single needle	Three threads Single needle
Machine net weight	7.0 kgs.	7.0 kgs.	7.0 kgs.	7.0 kgs.



**Huskylock**

M435/M435C/M43  
M535/M535C/M53  
193566-011  
ENG.  
Printed in Japan